



Interstellar

# 75 / 150 / 250M QUAD PHOTOELECTRIC BEAM SENSOR

**4PH-75 / 150 / 250BQE**



## NEW FUNCTION • NEW DESIGN

### FEATURES :

- A.G.C. (Automatic Gain Control) Circuit.
- Double Modulation Beam Frequency.
- Selectable 4-Channel Beam Frequencies.
- High Grade Aspherical Lens.
- Optional Heating Unit for cold areas.
- Protection against Rain, Dust & Insect.
- Protection against Frost, Snow & Dew.
- Adjustable Beam Interruption Period.
- Static, Lightning & Surge Resistance.
- Environment Detection Function

ISO-9001



# 75 / 150 / 250M QUAD PHOTOELECTRIC BEAM SENSOR

## 4PH-75/150/250BQE



### FEATURES :

#### ● RAIN, DUST & INSECTS PROTECTION

The Rubber O-Ring & Rubber Grommets used in the to prevent rain, dust and tiny insects from adversely affecting performance.



#### ● DOUBLE MODULATION IR BEAM FREQUENCY

#### ● FORM C RELAY (N.C./N.O.)

#### ● FROST & DEW PROTECTION

An anti-frost design is to protect the detector from effect of frost & dew.

#### ● 99% BEAM BLOCKING STABILITY

Enabling stable operation with as much as 99% loss of beam energy.

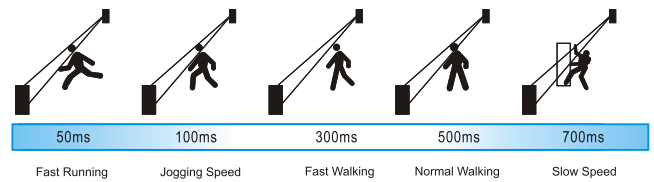
#### ● AUTOMATIC GAIN CONTROL (A.G.C.)

The A.G.C. Circuit continually monitors for gradual changes in the signal's strength caused by weather conditions and adjusts the trigger level accordingly, to maintain proper sensitivity.

#### ● STAINLESS SCREWS & BACK PLATE

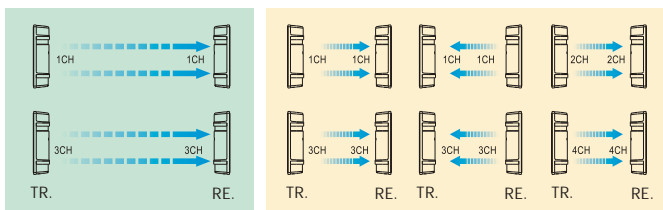
#### ● ADJUSTABLE BEAM INTERRUPTION PERIOD

Beam interruption time can be adjusted according to the peculiarities of each installation location. When protecting a wall or fence, a long interruption time could catch intruders, but let jumping cats or small objects pass through.



#### ● SELECTABLE 4-CHANNEL BEAM FREQUENCY

##### 1 2-stacked protection. 2 Line and 2-stacked protection.



### SPECIFICATIONS :

MODEL	4PH-75BQE	4PH-150BQE	4PH-250BQE
Detection Distance	Outdoor 225 ft. ( 75m ) Indoor 450 ft. ( 150m )	450 ft. ( 150m ) 900 ft. ( 300m )	750 ft. ( 250m ) 1500 ft. ( 500m )
Max. Arrival Distance	2250 ft. ( 750m )	4500 ft. ( 1500m )	7500 ft. ( 2500m )
Current Consumption	73mA (max)	83mA (max)	97mA (max)
Selectable Frequency	4-channel		
Power Supply	10.5V ~ 30VDC ( Non _Polarity )		
Infrared Photoelectric	LED pulsed beam, Double modulation		
Detection System	Simultaneous breaking of 2 beams		
Response Time	50msec ~ 700msec ( Adjustable )		
Alarm Output	Dry connect relay NC./ NO. 0.2A / 28VDC Contact Action: 1 To 3 sec .		
Tamper Output	Dry connect relay NC. 0.2A / 28VDC Action : cover is detached.		
Environment Output	Dry connect relay NC./ NO. 0.2A / 28VDC Contact Action: Heavy mist situation		
Alarm LED	Red LED (Receiver) lights when an alarm is initiated.		
Attenuation LED	Yellow LED (Receiver) lights when beam is attenuated		
Functions	RF-Monitor Jack, Meter Monitor Jack output AGC circuit, Frost proof cover.		
Alignment Angle	Horizontal ± 90°, Vertical ± 10°		
Operating Temperature	-13°F to +131°F ( -25°C to +55°C )		
Mounting Positions	Indoor / Outdoor		
Wiring	Terminals		
Weight	Transmitter ( 1385g ) & Receiver ( 1485g )		
Dimensions	W100 x H390 x D99.80 mm		
Standard Accessories	U-Shaped Brackets x 4, Attenuation Sheet x 2 Screws ( 4x20 Self tapping ) x 8, Screws ( M4 x 20 ) x 8		
Option	Heating Unit (HT-200)		

#### NOTE :

- This unit is designed to detect an intruder and activate an alarm control panel. Being only a part of complete system, we cannot assume responsibility for theft or damages, should it occur.
- Specifications and design are subject to change without prior notice.

#### ● HEATING UNIT - HT-200 (OPTION PART)

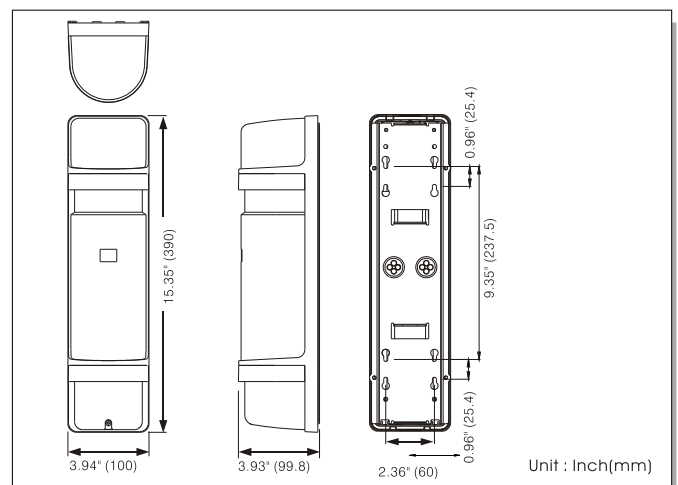
For use in cold areas  
( Temperature control switch inside ),  
24V DC/AC, 400mA max. (800mA/set)



#### ● ENVIRONMENT DETECTION

The environmental signal is initiated if the beam reception level is reduced under certain situation.

### DIMENSIONS :



No.4PH250BQE-0528A



Interstellar

Taiwan Security Net Co., Ltd. Designing / Manufacturing