

ZL600

A Deluxe Design Wireless Hotel Lock
Compatible with ZKBioHLMS Lock Management



Remote Monitoring



Mobile Credential



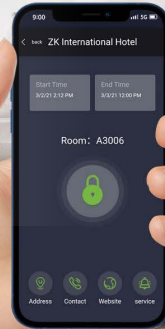
96H Salt Spray Test



Wireless Communication



Emergency Opening



ZL600 is a wireless hotel door lock. The lock casing is made of SAE 304 stainless steel design which enhances its durability. ZL600 also passed the 96H salt spray test, the lock can withstand extreme weather conditions. ZL600 adopts a European Standard Mortise lock body, allowing users to unlock the door with smartphone HTML5 (H5), which ZKBioHLMS supports. Also, ZL600 works with ZigBee communication, and users can control this smart hotel door lock locally and remotely.

Features



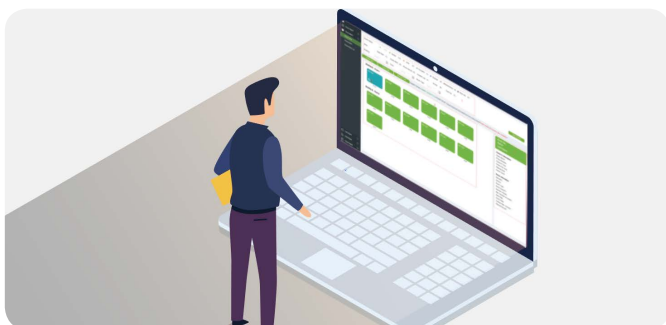
Flexible Scenarios

96H salt spray test for humid environment



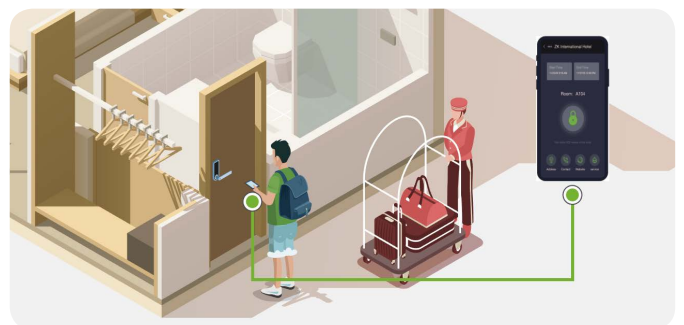
Free Egress

Door locks must always automatically open to the outside in case of emergency



Remote Monitoring

Monitor doors' status in real-time from anywhere



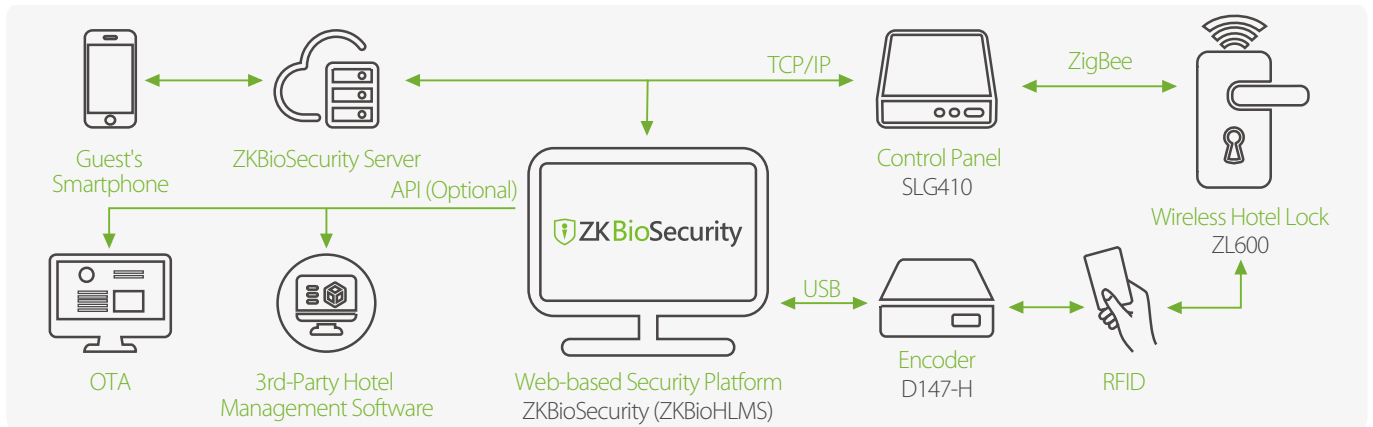
Mobile Credential

Unlock simply with a smartphone HTML5 (H5)

Specifications

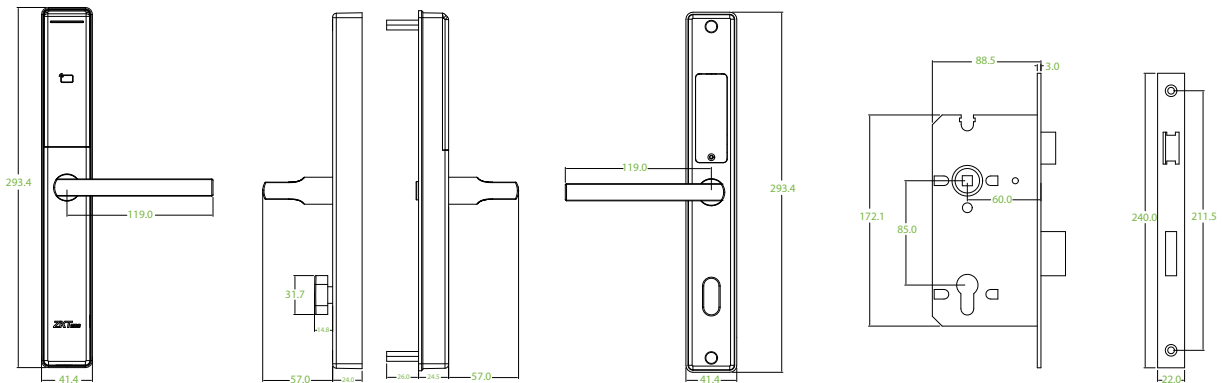
Material	SAE 304 Stainless Steel
Mortise	European Standard Mortise Lock Case (6085 standard, 3085 optional)
Card Reader	D147-H
Master Zigbee Gateway (Related Products)	SLG410
Communication	ZigBee
Card Type	IC S50/S70 Card
Emergency Mode	Support
Power Supply	4 × AAA alkaline battery (not included)
Battery Life	Up to 1 year
Static Current	30uA
Door Thickness	32mm to 58mm (standard); 59mm to 83mm (optional)
Outdoor Unit (L*W*D)	293.4*41.4*24.5 (mm)
Indoor Unit (L*W*D)	293.4*41.4*24.0 (mm)
Supported Software	ZKBioHLMS
Operating Temperature	-20°C to 55°C
Operating Humidity	5% to 95% RH
Certification (s)	CE, FCC
Warranty	2 years

Configuration



Note: It illustrates a complete hotel lock management system of ZKBioHLMS; API is an optional customized server.

Dimensions (mm)



V1.1 05/25/2022